

DS-1619ZJ

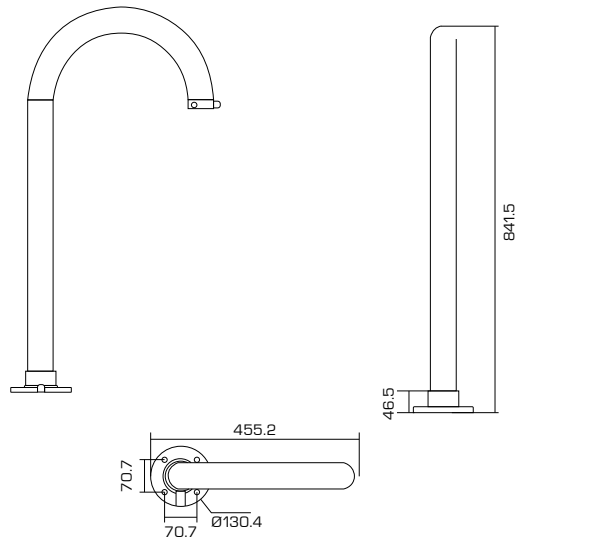


FEATURES:

- Aluminum alloy material with surface spray treatment
- Suitable to install on top of poles and walls
- Snap-fit joints, easy to install

DS-1619ZJ

SPEC	
Parameters	Swan neck
Colour	Hik White
Feature	Suitable for PTZ camera
Material	Aluminum Alloy
Dimension	455.2 x 130 x 841.5mm
Weight	6426g



Installation View

1. Select a suitable surface for installation and thread the wires.

2. Loosen two hex screws, align the PTZ dome to the screws on the bracket and rotate 180°

2. Tighten the two hex screws

